

Explosion-proof positioning system with integrated optics package (IOP) and infrared illuminator.

The AXIPTZ-5IR is a innovative integrated positioning system that has been designed and developed specifically for use in designated Hazardous Areas locations for Offshore, Marine and Industrial applications. Certified by Sira, the leading ATEX certification body in U.K, to meet the most stringent explosion proof requirements and ensure consistently high performance and durability under harsh and extreme conditions. Its stringent ATEX certification allows safe functioning at locations where ignitable concentrations of flammable gases or liquid vapors are present during normal operation. Groups covered include acetylene, hydrogen, ethylene and methane, all highly explosive gases.

The AXIPTZ-5IR not only combines pan/tilt and enclosure in a single, easy-to-install system, with no cable connection between Pan/Tilt and Camera Housing, but also allows different combinations of high performance cameras with Lens and IOP modules. The AXIPTZ-5IR includes an IR Illuminator, with a Projection Distance of 100 Meters and Projection Angle of 9 Degrees which allows clear viewing in dark areas possible.

For a wide range of applications, the AXIPTZ-5IR features a choice of various camera options: High-resolution color cameras and day/night cameras. Other features which make the AXIPTZ-5IR the leading explosion proof model of choice in the industry is the window wiper which is completely integrated into the enclosure and does not interfere with the viewing range of the system, and sunshield which are both supplied standard with the camera units. Auto-heater and washer system are available as options.

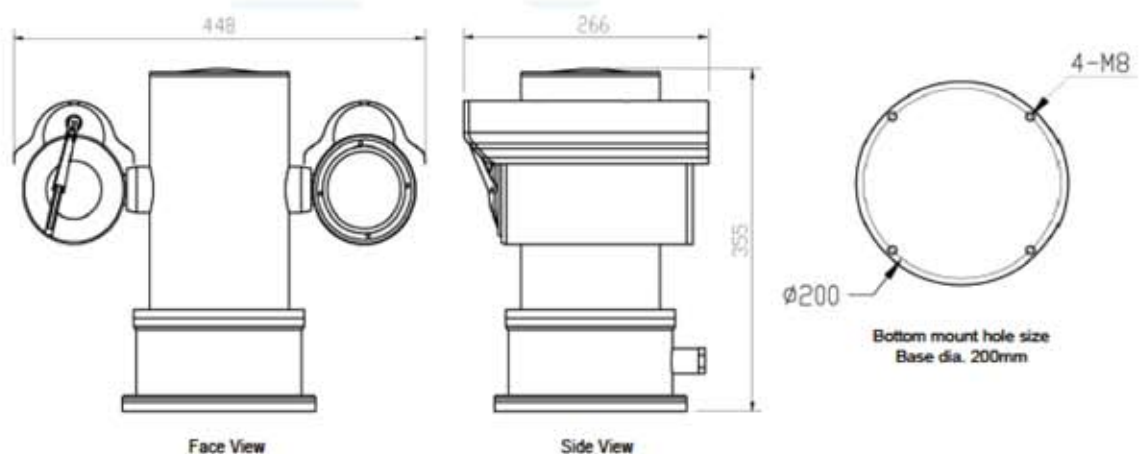
For potentially high-risk environments where the dangers to lives and property are ever present, the AXIPTZ-5IR is the ideal choice to ensure maximum safety and minimal operational risk.

- Electro polished Stainless Steel with optional special corrosion proof paint for maximum corrosion protection
- Certified to Ex d IIC T6 (ATEX Directive 94/9/EC)
- Receiver, Pan/Tilt, and Enclosure with an Integrated Optics Package (IOP), Integrated Wiper system and IR Illuminator
- Multi Protocol Receiver
- Weather Resistant to IP68 (1.2 Mtrs) & Nema 6 & 6P Standards
- Designed for ease of installation and minimal maintenance
- Fully integrated window wiper and sunshield are standard features supplied with each unit
- Various lengths of composite tails available
- Optional Auto-heater
- Optional washer system



**Specification**

- Certification
  - Sira 08ATEX1309
  - II 2 GD Ex d IIC T6 (ATEX Directive 94/9/EC)
  - CE 0518
  
- Ingress Protection
  - IP 68 / 1.2 METER
  - NEMA Type 6 & 6P
  
- Electrical
  - Input Voltage 110 – 240 VAC, 50/60 Hz
  - Input Voltage Range  $\pm 10\%$
  - Power Consumption 100W
  - Electrical Connection - Composite Cable comprising : 3 core for power  
2 core for control  
Coaxial for video
  
- Mechanical
  - Pan Movement - 360° Continuous Pan Rotation
  - Vertical Tilt - Unobstructed +90° to -90°
  - Pan/Tilt Speed - 0.1° ~ 25° sec
  
- General
  - Construction - 304 or 316L Stainless Steel
  - Finish - Electro Polish or optional Special Corrosion-proof paint in different colors
  - Unit Weight - 28 Kg
  - Shipping Weight - 31 Kg
  
- Environment
  - Air Pressure - 86~106KPa
  - Temperature - -40°C to +60°C
  - Humidity -  $\leq 95\%RH$  (+25°C)



**Camera Specifications (Optional IOP)**

- Brand - Hitachi
- Signal Format - NTSC, PAL
- Scanning System - Progressive Scanning
- Image Sensor - 1/4" Sony CCD
- Effective Pixels - NTSC : 795(H) x 495(V)  
- PAL : 795(H) x 595(V)
- Horizontal Resolution - 480TV  
(color)/600TV Line (B/W)
- NTSC / PAL - 480TV Lines
- Built in Lens - High Performance 23x  
Optical Lens
- Digital Zoom - 10x Zoom
- Horizontal Angle of View - 54°  
(wide)/2.5° (Tele)
- Focus - Auto / Manual
- Maximum - 0.1 Lux (Color)
- Sensitivity - 0.02 Lux (B/W)
- Sync System - Internal/External Sync
- White Balance - Auto / Manual
- Shutter Speed - Auto 1/50~1/4000s  
- Manual 1/1.5~ 1/30000s
- Iris Control - Auto / Manual
- Gain Control - Auto
- Video Output - 1.0Vp-p. 75Ω
- Signal to Noise - >50dB

**Accessories**

- Standard Composite Cable Lead
  - 6CS2 2m Standard Composite Cable (Supplied as standard)
  - 6CS10 10m Standard Composite Cable
  - 6CS20 20m Standard Composite Cable
  - 6CS30 30m Standard Composite Cable
- Standard Composite Cables can also be supplied in 200 meter drums. Contact us for pricing
- Wall Mount Bracket - WB5
- Auto-Heater (Activates at -10°C) - AH
- Washer system - Available upon request

**Recommended Cameras**

- Hitachi VK-S454ER (23X)
- Sony FCB-EX480CP (18X)
- Sony FCB-EX980SP (26X)
- Sony FCB-EX1010P (36X)

**Receiver**

- Communication - RS485
- Baud Rate - Selectable
- Protocol - Multiple Protocols
- Preset - 128 (including horizontal /  
vertical position of pan/tilt and lens  
focus)

**IR Illuminator**

- Projection Distance - 100 Meters
- Projection Angle - 9°
- Wavelength - 830nm / 950nm
- Control Method - Auto control or  
manually
- Working Voltage - 12 VDC
- Power Consumption - 18W