

Description

Currently deployed in Iraq by US Military armed forces, The Digital IR 360 remote sensing thermal imaging PTZ FLIR payload represents the state of the art in rugged military grade WSTI, SRTI, MRTI & LRTI solutions. Affordable pricing & versatility make the IR 360 sensor suite a fantastic choice. Thermal images are displayed in Black & white or color. The 360 is available in a wide range of COTS configurations including mobile, pan-tilt-zoom and fixed mount scenarios. Coupled with an optional stabilized high resolution CCD live color camera w/user selectable zoom, The IR 360 an ideal platform for Quick deployment with absolutely no maintenance & ease of operation.

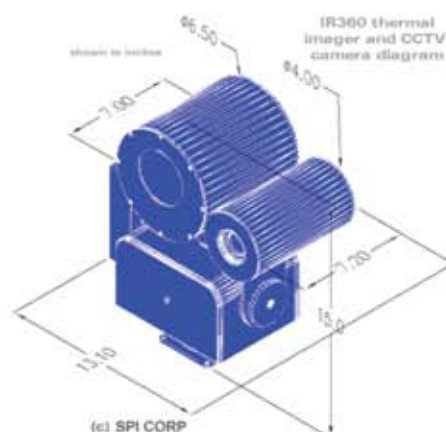
The IR 360 full range remote surveillance infrared camera system uses only fully qualified mil-spec connectors and internal components. The solid construction of the unit extends from the power head to the control box.

Features

- Thermal FLIR IR and stabilized CCD color imaging payload w/Robust all weather construction
- Multiple stand alone, pan-tilt, stationary, mobile, marine options including continuous rotation
- Meets TASS (US Armed forces) certification
- Meets COTS (Commercial Off The Shelf) requirements
- Wide detection acquisition Ranges, Long Range and Short Range options
- Multiple installation configurations with alerting for threat assessments
- Can be operated with hand controller, computer PC and a wide array of your existing protocol security suite

The Deluxe IR-360 hand controller gives you complete control over all system functions. The controller is designed to be operated with mission protective garments. Features include:

- Pan / Tilt Joystick control
- Multiple user selectable speeds
- User adjustable preset pan control
- Black hot / White hot toggle
- Digital Zoom function
- Focus (for motor focus lens options)
- Manual / Auto image mode toggle
- + / - Image gain control
- + / - Image level control
- Power on / off switch
- Custom configuration upon request



The future of technology

Specification

- | | |
|------------------------------------|--|
| - Detector 1 | High resolution, 320 x 240 un cooled focal plane array |
| - Detector 2 | High Resolution high sensitivity InSb core |
| - Lens Options | 13mm, 18mm, 25mm, 50mm, 75mm, 100mm, 150mm, Dual Field of View 50-150mm and 60-180mm Germanium Optic |
| - Housing | environmentally hardened, shock resistant, double enclosure |
| - Pan Tilt | Stainless Gears and Chains for accurate positioning and low maintenance |
| - Deluxe Controller | Variable speed Pan, Adjustable auto pan, Gain-Level, Image Polarity, 2x zoom, Motor Focus - Compatible |
| - Software Control | PC control of all pan tilt and camera functions |
| - Alarm | Intruder alarm and tracking module available threshold or motion detection |
| - Continuous Rotation | 360 degree continuous rotation available |
| - High Speed Rotation | High speed (100 degree per second) rotation option |
| - Max Human Sized Target Detection | 4,500 Meters |

